

# SUCTION CUPS / Dual Lip Structure

## BL5040

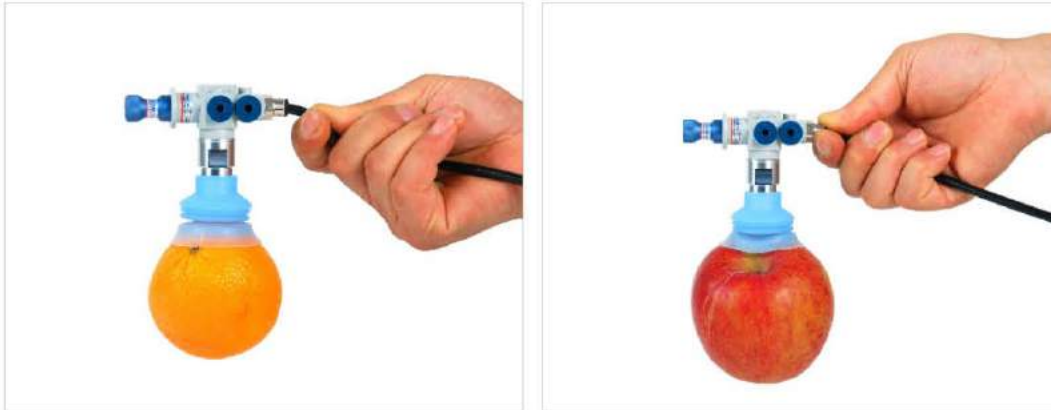
### Features and Strengths

Excellent for irregular curved surface and rough surface  
Dual lip structure to increase safety caused by lip worn and torn

### Advantages

Stable and reliable performance by dual lip structure to increase safety caused by lip worn and torn

### Application



### Examples of use

Food ( Orange, Apple, Cheese ball, etc.)  
Convex surface

### Available size options

Model	Description
BL5040	Dual lip structure suction cup, inner Ø40 - outer Ø50





### Recommended Lifting Force (Max.)

Model	Volume (cm <sup>3</sup> )	Lifting Force (Kg) - Perpendicular			Page
		- 20 kPa	- 60 kPa	- 90 kPa	
BL5040	32.30	1.90	3.98	5.25	260

※ The lifting force above does not include safety factor

# SUCTION CUPS / Dual Lip Structure

## BL5040

### Features and Strengths

Excellent for irregular curved surface and rough surface  
Dual lip structure to increase safety caused by lip worn and torn

### Examples of use

Food ( Orange, Apple, Cheese ball, etc.)  
Convex surface



### Recommended Lifting Force (Max.)

Model	Volume (cm <sup>3</sup> )	Lifting Force (Kg) - Perpendicular		
		- 20 kPa	- 60 kPa	- 90 kPa
BL5040	32.30	1.90	3.98	5.25

※ The lifting force above does not include safety factor

### Material Specifications

Material	Hardness Shore (°)	Color	Temperature (°C)
NBR	60	Black	-20~110
Silicone - S3	30	Translucent Blue	-70~200
Silicone - S5	55	Red	-70~200
White Silicone – WS3	30	Translucent White	-70~200
White Silicone – WS5	55	Translucent White	-70~200
White Silicone – WS3 (FDA)	30	Translucent White	-70~200
White Silicone – WS5 (FDA)	55	Translucent White	-70~200

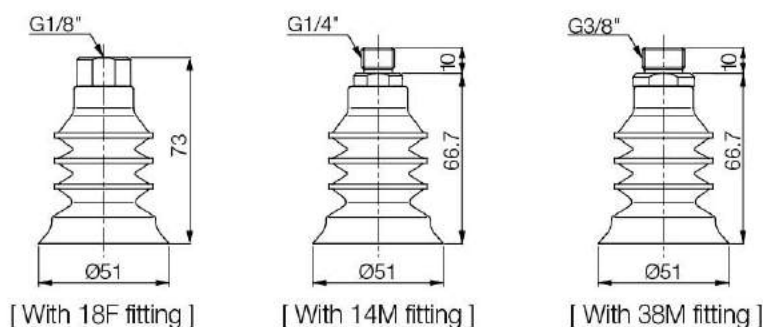
※ For additional material, see page 32~33

### Material Resistance

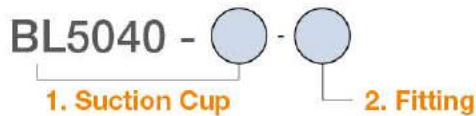
Description	NBR	Silicone	White silicone
Wear Resistance	Excellent	Good	Good
Oil	Excellent	Poor	Poor
Weather / Ozone	Fair	Excellent	Excellent
Alcohol	Good	Good	Good
Acid	Fair	Poor	Poor

### Dimension

[ Unit : mm ]



## Build an Ordering No.



1. Suction cup	Description	Symbol
	Dual lip structure suction cup, inner 40mm - outer 50mm diameter, Nitrile (NBR)	BL5040-N
	Dual lip structure suction cup, inner 40mm - outer 50mm diameter, Silicone – Hardness 30°	BL5040-S3
	Dual lip structure suction cup, inner 40mm - outer 50mm diameter, Silicone – Hardness 55°	BL5040-S5
	Dual lip structure suction cup, inner 40mm - outer 50mm diameter, White silicone – Hardness 30°	BL5040-WS3
	Dual lip structure suction cup, inner 40mm - outer 50mm diameter, White silicone – Hardness 55°	BL5040-WS5
	Dual lip structure suction cup, inner 40mm - outer 50mm diameter, White silicone – Hardness 30° (FDA)	BL5040-WS3(FDA)
	Dual lip structure suction cup, inner 40mm - outer 50mm diameter, White silicone – Hardness 55° (FDA)	BL5040-WS5(FDA)

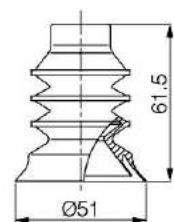
  

2. Fitting	Description	Symbol
	Fitting, G1/8 female	18F
	Fitting, G1/8 female, Mesh filter	M-18F
	Fitting, G1/4 male	14M
	Fitting, G1/4 male, Mesh filter	M-14M
	Fitting, G3/8 male	38M
	Fitting, G3/8 male, Mesh filter	M-38M

## Spare Parts – Rubber Parts

Part No.	Description	Weight (g)	Color
BL5040-N	Dual lip structure suction cup, inner 40mm - outer 50mm diameter, Nitrile (NBR)	24.28	Black
BL5040-S3	Dual lip structure suction cup, inner 40mm - outer 50mm diameter, Silicone – Hardness 30°	22.2	Translucent Blue
BL5040-S5	Dual lip structure suction cup, inner 40mm - outer 50mm diameter, Silicone – Hardness 55°	22.9	Red
BL5040-WS3	Dual lip structure suction cup, inner 40mm - outer 50mm diameter, White silicone – Hardness 30°	21.93	Translucent White
BL5040-WS5	Dual lip structure suction cup, inner 40mm - outer 50mm diameter, White silicone – Hardness 55°	22.15	Translucent White
BL5040-WS3(FDA)	Dual lip structure suction cup, inner 40mm - outer 50mm diameter, White silicone – Hardness 30° (FDA)	21.93	Translucent White
BL5040-WS5(FDA)	Dual lip structure suction cup, inner 40mm - outer 50mm diameter, White silicone – Hardness 55° (FDA)	22.15	Translucent White

[ Unit : mm ]



[ Rubber part ]

## Spare Parts – Fittings

Part No. (Code No.)	Fitting size	Description	Weight (g)
350 005 0101	18F	G1/8 female	11.24
350 005 0103	18F-F	G1/8 female, Mesh filter	11.27
350 005 0202	14M	G1/4 male	7.92
350 005 0204	14M-F	G1/4 male, Mesh filter	8.96
350 005 0302	38M	G3/8 male	11.47
350 005 0304	38M-F	G3/8 male, Mesh filter	11.51